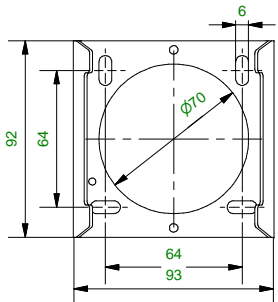
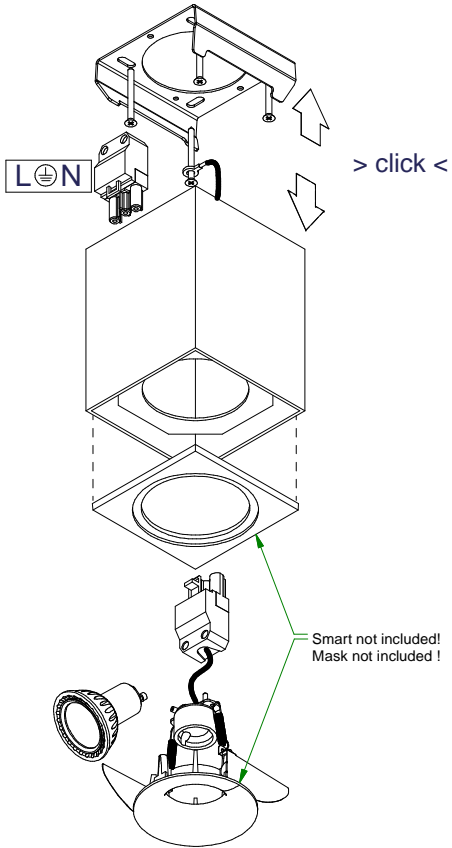


# Smart SBS 82 GE for 1xLED

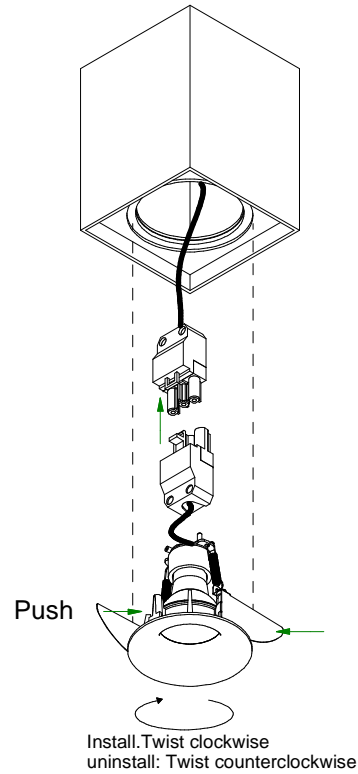
125160XX

for Smart 82 ES50

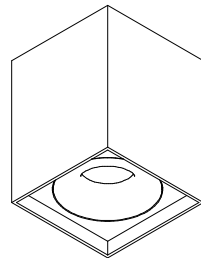
1



2



3

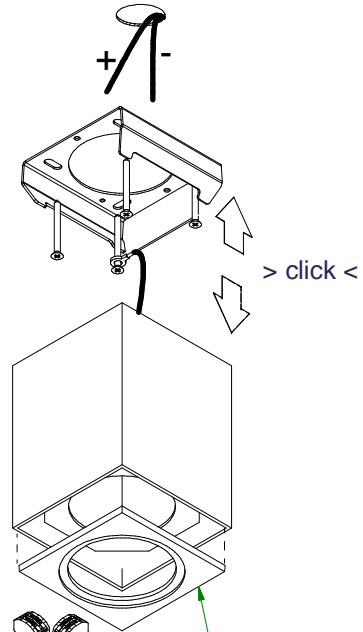


**CAN BE USED WITH**  
 124501XX Smart Lotis 82 ES50  
 124801XX Smart Kup 82 ES50  
 124201XX Smart Cake 82 ES50

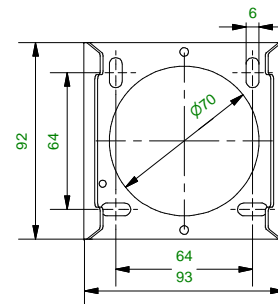
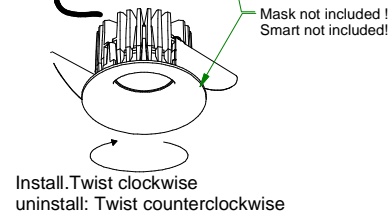
**MUST BE USED WITH**  
 125000XX Smart mask 82 1x

1

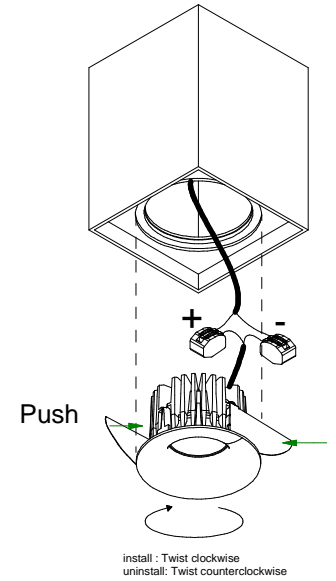
for Smart 82 LED GE  
 350mA - min 17,5Vf - max 21,5Vf - 6,9W  
 500mA - min 18,4Vf - max 22,5Vf - 10,3W



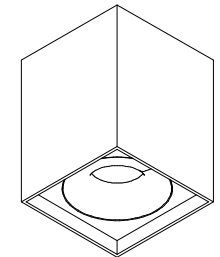
Push



2



3



**CAN BE USED WITH**  
 124110XX Smart Cake 82 LED<900L2,7KM GE  
 124410XX Smart Lotis 82 LED<900L2,7KM GE  
 124710XX Smart Kup 82 LED<900L2,7KM GE  
 124111XX Smart Cake 82 LED<900L4KM GE  
 124411XX Smart Lotis 82 LED<900L4KM GE  
 124711XX Smart Kup 82 LED<900L4KM GE

124420XX Smart Lotis 82 IP LED<900L2,7KM GE \*  
 124720XX Smart Kup 82 IP LED<900L2,7KM GE \*  
 124120XX Smart Cake 82 IP LED<900L2,7KM GE \*

**MUST BE USED WITH**  
 125000XX Smart mask 82 1x  
 \* in combination with Surface Box = IP20

